



**INTRODUCING
A New Generation of
Heat Guns
By STEINEL**

- **2 NEW Professional Models**



- **4 NEW Electronic Models**



NEW STEINEL Professional Heat Guns Feature:





TWO STAGE PROFESSIONAL HEAT GUN

Temperature: 575 / 1000 °F

Airflow: 8.5 CFM / 14.8 CFM

Output: 1300 watts

Element: Reinforced Ceramic / Mica with lateral supports



PROFESSIONAL HEAT GUNS



THREE STAGE PROFESSIONAL HEAT GUN

- Temperature: 120 / 750 / 1100 °F
- Airflow: 3.6 / 10.0 / 15.9 CFM
- Cool Air Stage: For rapid cool down
- Output: 1400 watts
- Element: DuraTherm™ Ceramic element for maximum durability and even heat



**BEND / SHAPE
PLASTICS**



WIRE HARNESSING



**LOOSENING
BOLTS AND
RUSTED PARTS**



STRIPPING PAINT



**JOINING PCV
PIPING**



**SHRINK
WRAPPING**



PROFESSIONAL HEAT GUNS RECAP

HL 1810 S

HL1610 S

Temperature:

120 / 750 / 1100°F

575 / 1000°F

Air Flow:

3.6 / 10 / 15.9 CFM

8.5 / 14.8 CFM

Element:

DuraTherm™ Ceramic

Reinforced Ceramic/Mica

Soft-Grip/Soft-Stand:

Yes

No

Output:

1400 Watts

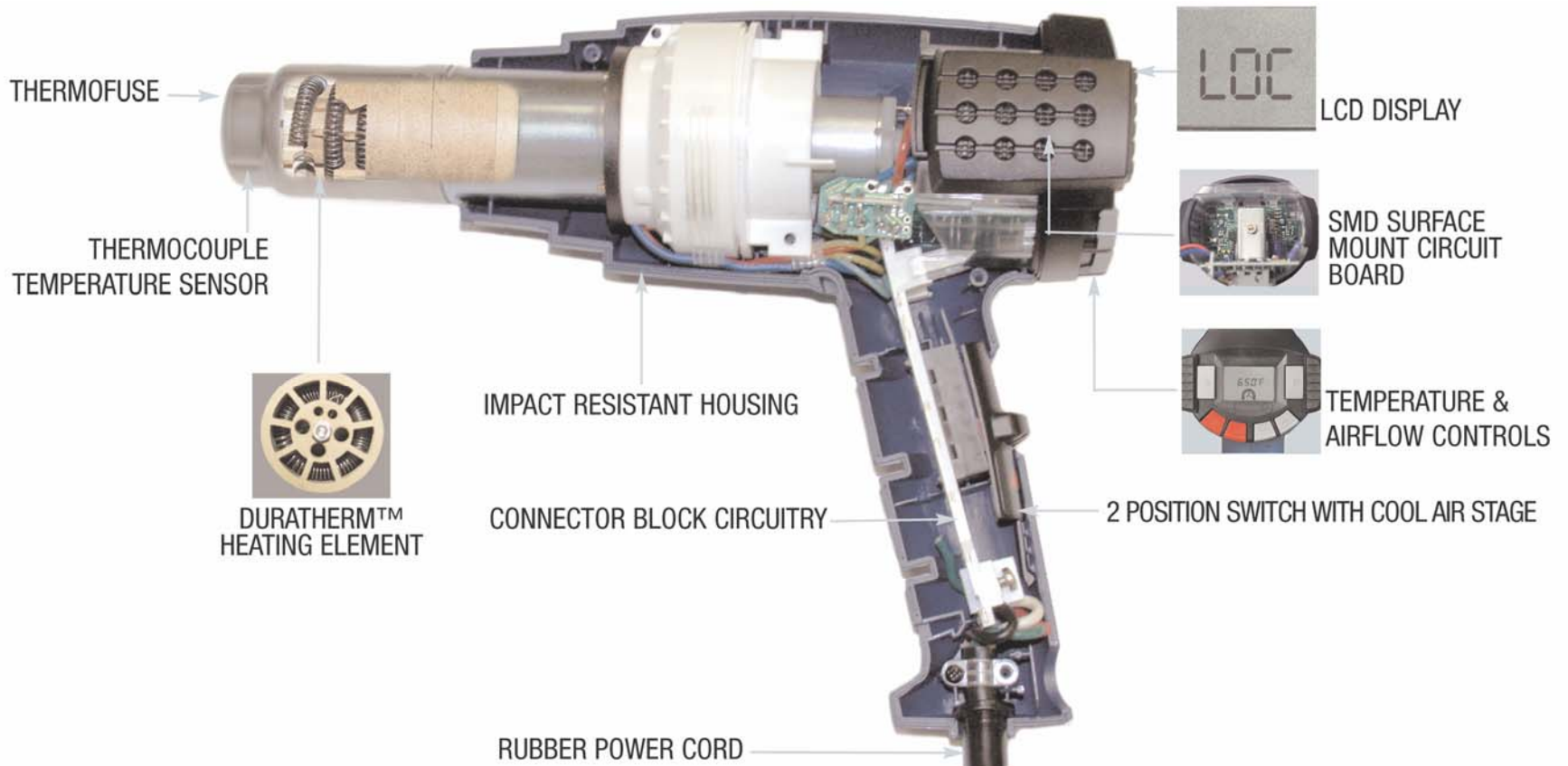
1300 Watts



ELECTRONIC HEAT GUNS

STEINEL's NEW Electronic Heat Guns

The ultimate in user controlled temperature and airflow





VARIABLE TEMPERATURE ELECTRONIC HEAT GUN

Temperature: Variable 120 – 1100 °F with Temperature Dial
Switch 1: Cool Air Stage
2: 10.6 CFM
3: 17.6 CFM
Output: 1500 watts





ELECTRONIC HEAT GUNS



INTELLITEMP™ HEAT GUN WITH LCD TEMP. DISPLAY

Temperature: Selectable 120 – 1150 °F with Push Button Control

Switch 1: Cool Air Stage

2: 10.6 CFM

3: 17.6 CFM

Output: 1500 watts





ELECTRONIC HEAT GUNS



PROGRAMMABLE INTELLITEMP™ HEAT GUN WITH LCD

Temperature: Selectable 120 – 1200 °F with Push Button Control

Airflow: Selectable 3.6 – 17.6 CFM

Programs: Four Temp/Airflow Programs
With LOC Lockable Override Control™

Output: 1600 watts



Available with or without patented Black Box Technology



ELECTRONIC HEAT GUNS



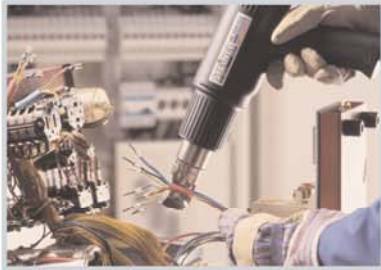
ESD SAFE PROGRAMABLE INTELLITEMP™ HEAT GUN

Temperature: Selectable 120 – 1200 °F with Push Button Control

Airflow: Selectable 3.6 – 17.6 CFM

Programs: Four Temp/Airflow Programs
With LOC Lockable Override Control™

Output: 1600 watts



WIRE HARNESSING



TARP WELDING



PLASTIC WELDING



**CIRCUIT BOARD
DESOLDERING**



**ORTHOTICS AND
PROSTHETICS**



SOLDERING



ELECTRONIC HEAT GUNS RECAP

	HG 2510 ESD	HG 2310 LCD	HL 2010 E	HL 1910 E
Temperature:	120 - 1200°F	120 - 1200°F	120 - 1150°F	120 - 1100°F
Air Flow (CFM):	3.6 - 17.6	3.6 - 17.6	3.6/10.6/17.6	3.6/10.6/17.6
Controls:	Push Button w/LCD Temp/Air	Push Button w/LCD Temp/Air	Push Button w/LCD Temp	Temperature Dial
Programs:	4 Presets + LOC	4 Presets + LOC	-	-
Output:	1600 Watts	1600 Watts	1500 Watts	1500 Watts